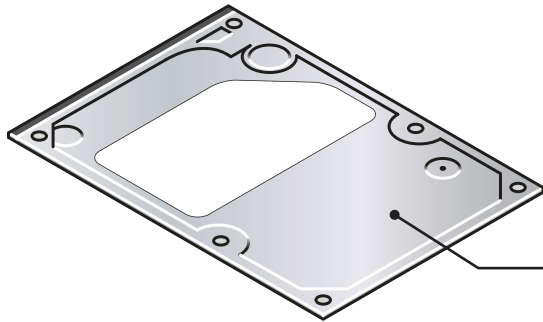
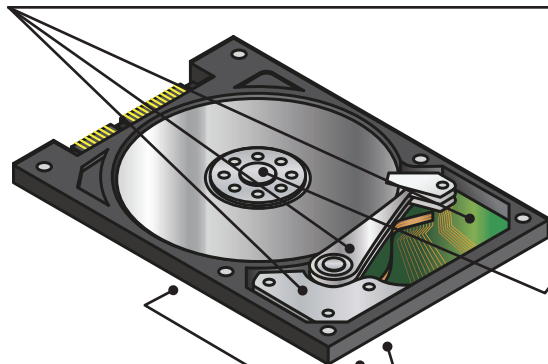


Non-Destructive Dismantling Sequence for 3.5 inch and 2.5 inch Hard Drives (HDDs)

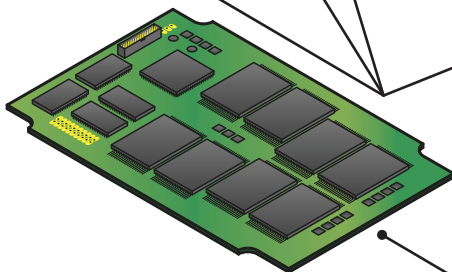


Stage 1 (Front) – Front cover screw removal



Stage 2 (Front) – Flat/ribbon cable screw removal
– Actuator/head assembly screw removal
– Voice coil magnets screw removal

Stage 3 (Front) – Spindle hub head screw removal
Optional with Stage 2 (Back) that provides the maximum level of recovery and reuse



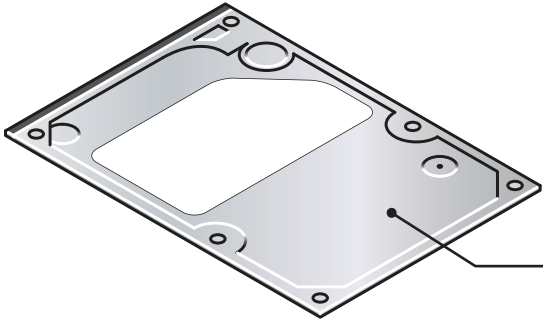
Stage 2 (Back) – Actuator/head assembly screw removal
– Voice coil magnets screw removal

Optional: Spindle hub pin milled for quick release of the whole spindle hub and platter(s) unit

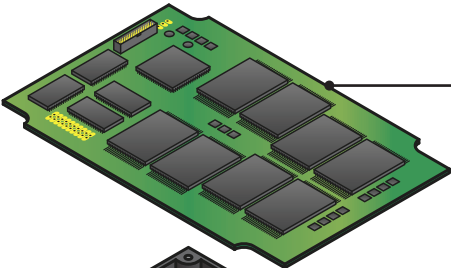
Based on desired level of recovery and reuse

Stage 1 (Back) – Circuit board screw removal

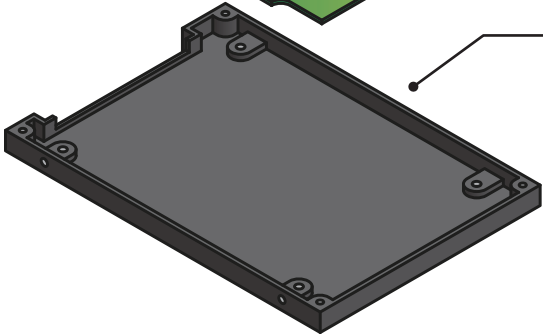
Non-Destructive Dismantling Sequence for 3.5 inch and 2.5 inch Solid State Drives (SSDs)



Stage 1 (Front) – Front cover screw removal



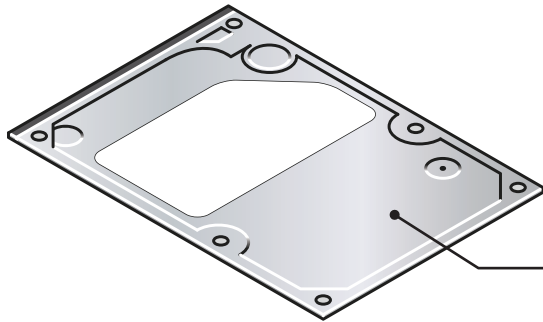
Stage 2 (Front) – Circuit board screw removal



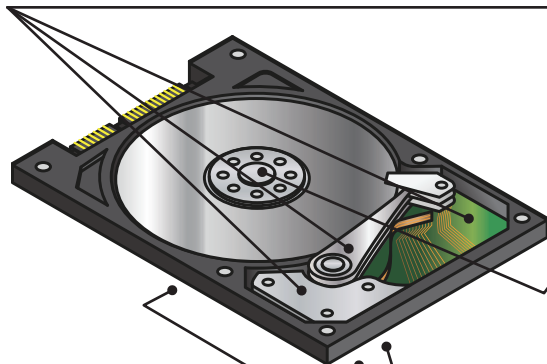
Stage 3 (Back) – Rear cover screw removal or mill (when applicable)

Dismantling sequence may vary based on make and model of the hard drives.

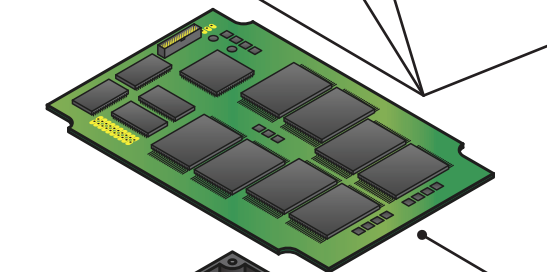
Non-Destructive Dismantling Sequence for 3.5 inch and 2.5 inch Hybrid Hard Drives (HHDs)



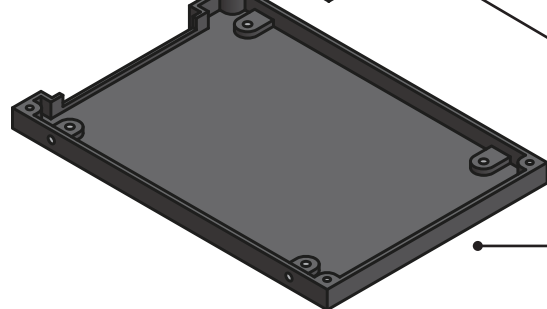
Stage 1 (Front) – Front cover screw removal



Stage 2 (Front) – Flat/ribbon cable screw removal
– Actuator/head assembly screw removal
– Voice coil magnets screw removal



Stage 3 (Front) – Spindle hub head screw removal
Optional with Stage 2 (Back) that provides the maximum level of recovery and reuse



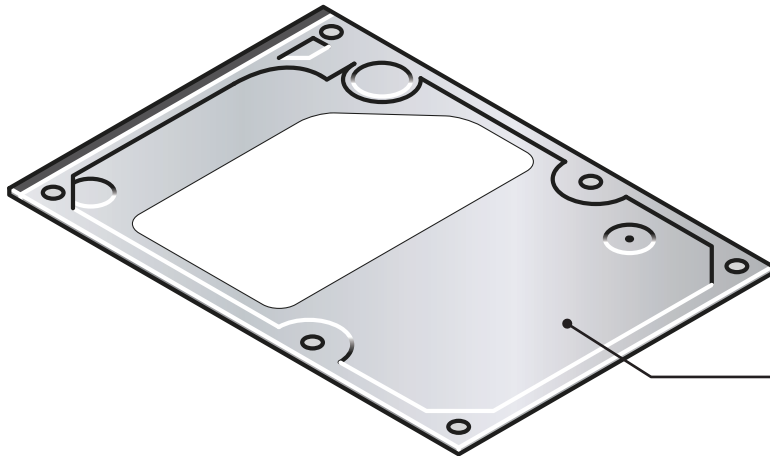
Stage 3 (Back) – Actuator/head assembly screw removal
– Voice coil magnets screw removal

Optional: Spindle hub pin milled for quick release of the whole spindle hub and platter(s) unit

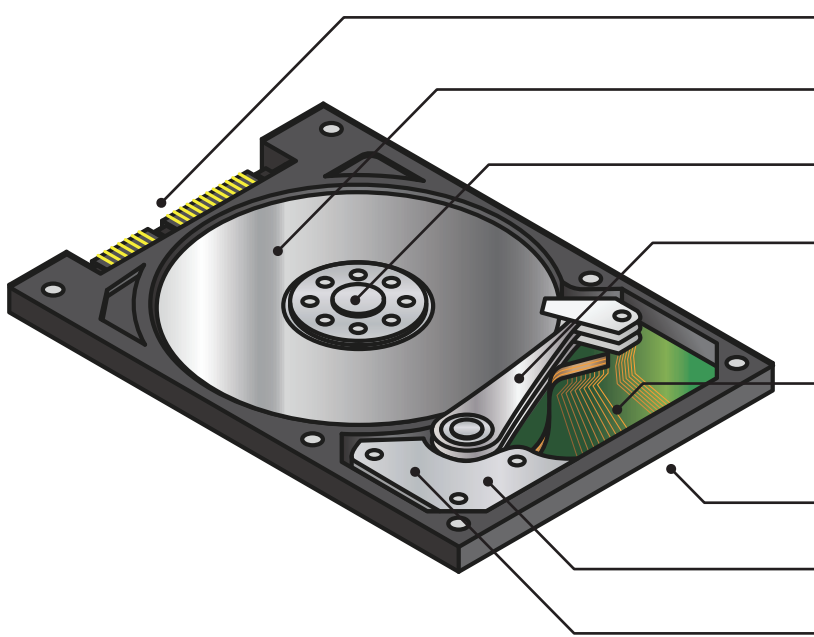
Based on desired level of recovery and reuse

Stage 2 (Back) – Circuit board screw removal

Stage 1 (Back) – Circuit board screw removal



Cover



Interface Connector (N/A)

Magnetic Platters (N/A)

Spindle

Actuator Arm with
Read/Write Heads (N/A)

Flat/Ribbon Cable

Chassis Frame

Head/Actuator Assembly

Voice Coil Magnets
Screw Removed